



TEMPERATURE REGULATORS FOR REFRIGERATION

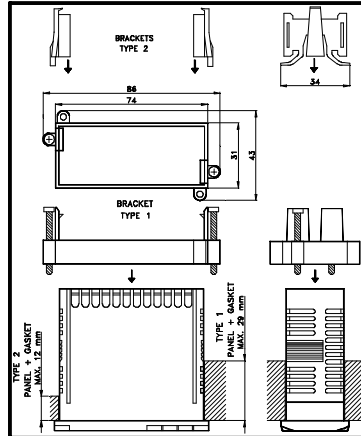
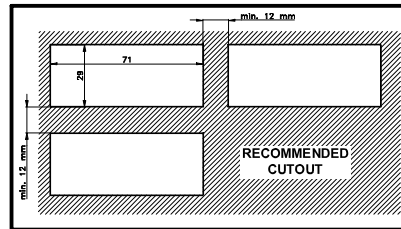
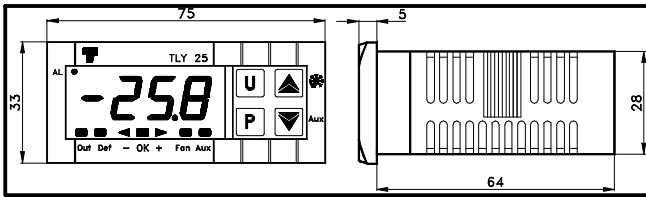
TLY



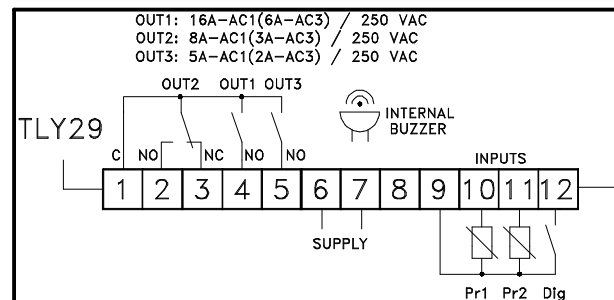
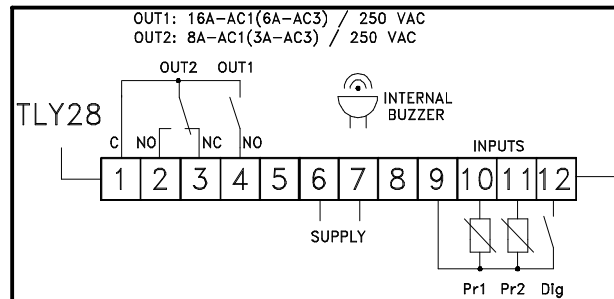
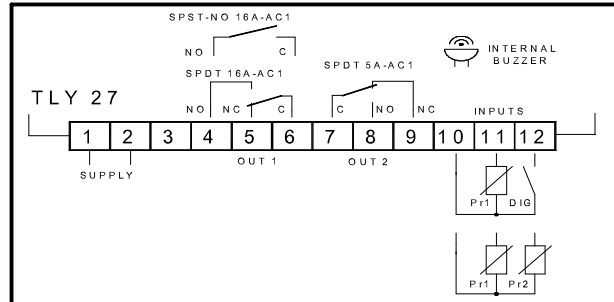
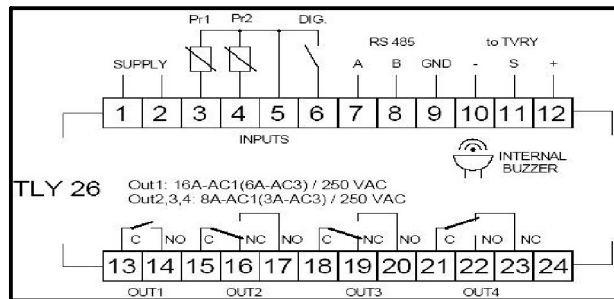
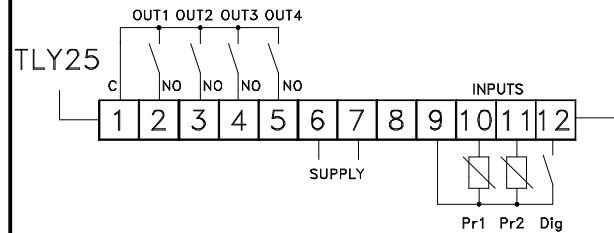
- **33x75 mm**
- **100/240 VAC**
- **4 RELAYS**
- **RS485**

	TLY 25	TLY 26	TLY 27	TLY 28	TLY 29

MECHANICAL CHARACTERISTICS							
Housing	Self-extinguishing plastic, UL 94 V0						
Dimensions	33x75mm-depth 64mm	33x75mm-d.75mm	33x75 mm - depth 64 mm				
Weight	Approx. 115 g	Approx. 155 g	Approx. 115 g.				
Connections	2,5 mm ² screw terminal block						
Mounting	Flush in panel in 29x71 mm hole						
Front panel protection	IP 65 mounted in panel with gasket						
ELECTRICAL DATA							
Power supply	12 VAC/DC, 100...240 VAC +/-10%	12 VAC/DC	12, 24 VAC/DC, 100...240 VAC +/-10%				
AC Frequency	50 / 60 Hz						
Power consumption	Approx. 3 VA	Approx. 4 VA	Approx. 3 VA				
INPUT DATA							
Thermistor	2x PTC KTY 81-121 (990 Ω at 25°C) or 2x NTC 103AT-2 (10 kΩ at 25°C), programmable						
Digital input	1 for free voltage contact		1 for free voltage contact in alternative to one probe input		1 for free voltage contact		
OUTPUT DATA							
Relay	Power Supply	100/240 VAC	12 VAC/DC	12 VAC/DC	12VAC/DC, 24VAC/DC, 100/240VAC		
	OUT1	SPST-NO 16A-AC1, 6A-AC3 250 VAC		SPST-NO 16A-AC1, 6A-AC3 250 VAC	SPST-NO or SPDT 16A-AC1, 6A-AC3 250 VAC	SPST-NO 16A-AC1, 6A-AC3 250 VAC	SPST-NO 16A-AC1, 6A-AC3 250 VAC
	OUT2	SPST-NO 5A-AC1, 2A-AC3 250 VAC	SPST-NO 8A-AC1, 3A-AC3 250 VAC	SPDT 8A-AC1, 3A-AC3 250 VAC	SPDT 5A-AC1, 2A-AC3 250 VAC	SPDT 8A-AC1, 3A-AC3 250 VAC	SPDT 8A-AC1, 3A-AC3 250 VAC
	OUT3	SPST-NO 5A-AC1, 2A-AC3 250 VAC	SPST-NO 8A-AC1, 3A-AC3 250 VAC	SPDT 8A-AC1, 3A-AC3 250 VAC	--	--	SPST-NO 5A-AC1,2A-AC3 250 VAC
	OUT4	SPST-NO 5A-AC1, 2A-AC3 250 VAC	SPST-NO 8A-AC1, 3A-AC3 250 VAC	SPDT 8A-AC1, 3A-AC3 250 VAC	--	--	--
Relay electric life	OUT1 SPST-NO, OUT2, OUT3, OUT4 : 100000 operations OUT1 SPDT : 50000 operations						
FUNCTIONAL DATA							
Control mode	ON/OFF						
Overall accuracy	+/-0,5% end scale						
Display resolution	1° or 0,1°						
Measuring range	PTC = -50...+150°C NTC = -50...+109°C						
Measuring unit	°C - °F, programmable						
Sampling rate	130 msec.						
Display	4 red digit h=12 mm						
Defrost control	Hand-feed/Automatic by time interval cycles or with real time clock by electric heating or hot-gas/reverse cycle		Hand-feed/Automatic with time interval cycles by stopping compressor		Hand-feed/Automatic by time interval cycles or with real time clock by electric heating or hot-gas/reverse cycle		
Acoustic alarm	--		Internal Buzzer				
Serial communication	RS485 with TLCNV	RS485 on board	RS485 throught external interface TLCNV type				
Programming mode	By keyboard or by using fast programming tool "KEY01" or "KEY02"						
Parameters access	Protected by programmable password						
Operating temperature	0...50°C						
Operating humidity	30...95 RH% without condensation						

DIMENSIONS (mm)

CONNECTIONS

OUT1: 16A-AC1(6A-AC3) / 250 VAC
 OUT2,3,4 Supply F: 8A-AC1(3A-AC3) / 250 VAC
 OUT2,3,4 Supply L,H: 5A-AC1(2A-AC3) / 250 VAC


CODING

TLY 25	33 x 75	
Description	Codes	Codes Description
Power Supply	F	12 VAC/DC
	H	100..240 VAC
Real Time Clock	C	With RTC
	-	None

TLY 26	33 x 75	
Description	Codes	Codes Description
Real Time Clock	C	With RTC
	-	None
Remote Display Output	D	With remote display outp
	-	None
Serial Communication	S	RS485
	-	None
Output OUT4	R	Relay
	-	None

TLY 27	33 x 75	
Description	Codes	Codes Description
PowerSupply	F	12 VAC/DC
	L	24 VAC/DC
	H	100..240 VAC
Output OUT1	R	Relay SPST-NO 16A-AC1
Output OUT2	S	Relay SPDT 16A-AC1
	R	Relay SPDT 5A-AC1
	-	None
Acoustic alarm	B	Internal Buzzer
	-	None
Second Input	D	Digital Input
	P	2nd probe input

TLY 28	33 x 75	
TLY 29	33 x 75	
Description	Codes	Codes Description
Power Supply	F	12 VAC/DC
	L	24 VAC/DC
	H	100..240 VAC
Acoustic alarm	B	Internal Buzzer
	-	None
Real Time Clock	C	With RTC
	-	None